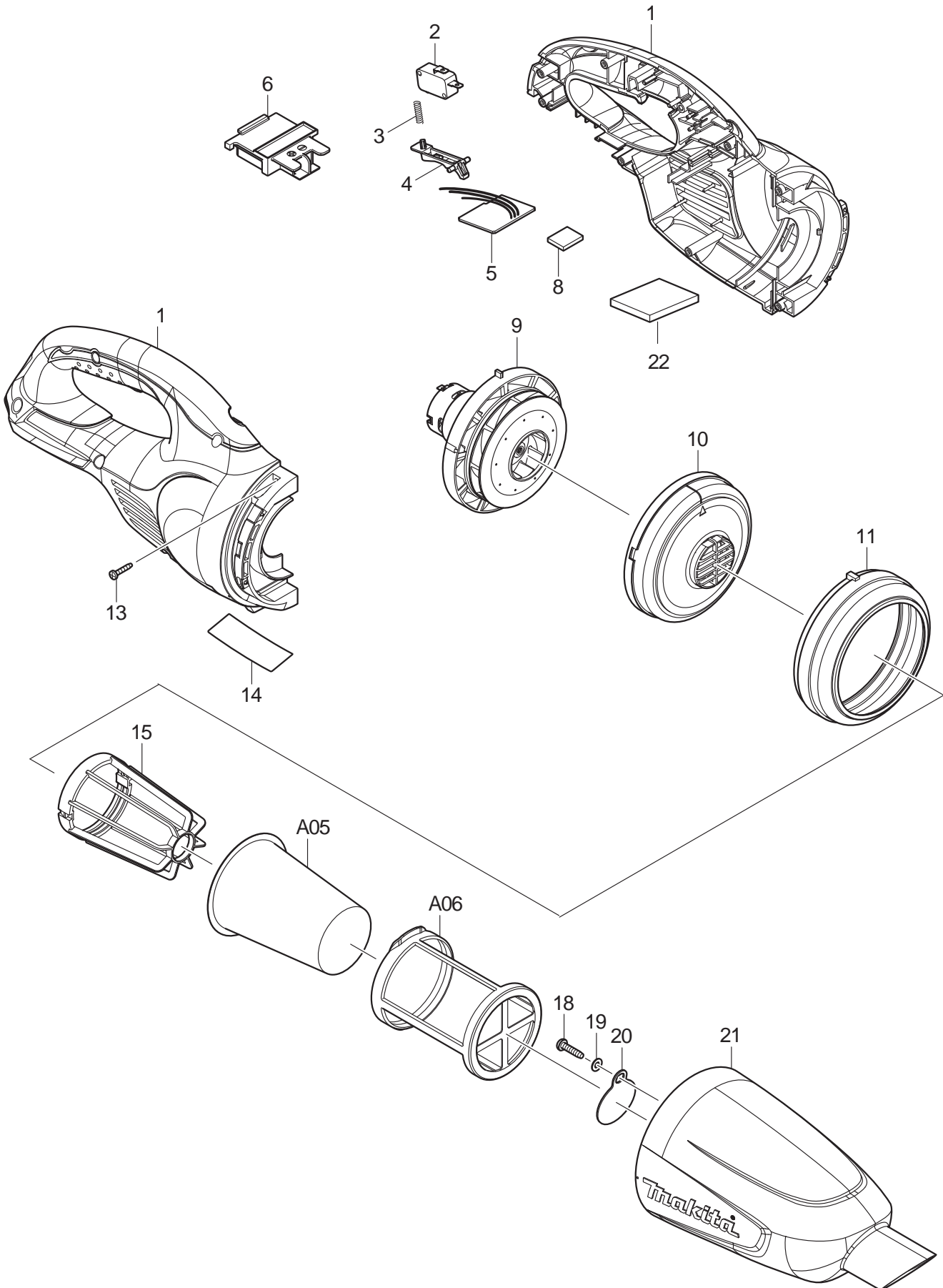




01 - 2017
DCL180ZX

18V Lxt Vacuum Cleaner, Clear Teal Canister
DCL180RFB/ DCL180ZB

18V LXT Vacuum Cleaner, Black Housing / Clear Teal Canister



Item No	Type	Sub	Part No	Description	Qty	Unit
001			183H13-5	HOUSING SET, BLACK	1	SET
		INC.	424209-4	SPONGE SHEET 50-50	2	PC.
		INC.	806U42-6	CAUTION LABEL	1	PC.
002			651891-8	SWITCH V-15-3A6	1	PC.
003			231473-8	COMPRESSION SPRING 4	1	PC.
004			451227-9	SWITCH LEVER	1	PC.
005			638936-9	CONTROLLER UNIT	1	PC.
006			643860-3	TERMINAL	1	PC.
008			424248-4	SPONGE SHEET 15-25	1	PC.
009			125867-6	MOTOR ASSY	1	PC.
		INC.	452455-9	BASE	1	PC.
		INC.	265199-0	+ PAN HEAD SCREW M3X8	2	PC.
		INC.	240102-2	FAN 82	1	PC.
010			416030-5	FAN COVER	1	PC.
011			424320-2	RUBBER RING	1	PC.
013			266429-2	TAPPING SCREW M3X16	7	PC.
014			815F73-4	NAME PLATE F/DCL180	1	PC.
015	2		458467-0	* STAY	1	PC.
018			265995-6	TAPPING SCREW M4X18	1	PC.
019			941051-3	FLAT WASHER 4	1	PC.
020			424208-6	VALVE	1	PC.
021			456196-9	CAPSULE, CLEAR TEAL	1	PC.
022			424308-2	SPONGE SHEET 50-36	1	PC.
023			632H18-7	FUSE UNIT	1	PC.
		INC.	654069-2	RECEPTACLE	1	PC.
024			422268-2	* SPONGE SHEET 57	1	PC.

ACCESSORIES

- See Catalogue or visit www.makita.ca for more accessories -

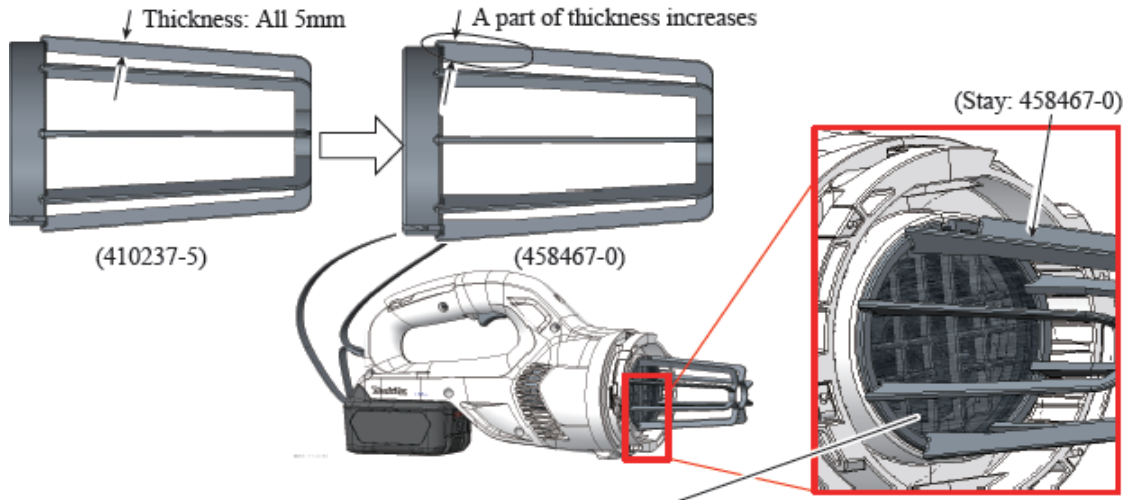
A01			123539-7	NOZZLE ASSEMBLY (T-NOZZLE), BLACK	1	PC.
		INC.	451410-8	ROLLER	4	PC.
		INC.	268208-4	PIN 3	4	PC.
		INC.	424096-1	WIPER	1	PC.
A02			456586-6	SASH NOZZLE, BLACK	1	PC.
A03			456587-4	PIPE, BLACK	1	PC.
A04			456585-8	SASH NOZZLE HOLDER, BLACK	1	PC.
A05	2		443060-3	* FILTER	1	PC.
A06	2		451208-3	* PRE-FILTER (PKG# 198750-0)	1	PC.
	3		198750-0	* PRE-FILTER (Bulk# 451208-3)	1	PC.
A07			-----	18V LI-ION BATTERY		
A08			-----	BATTERY CHARGER		
A09			-----	LI-ION BATTERY ACCESSORIES		
A10			191496-7	FLEXIBLE HOSE, IVORY	1	PC.
A11			191724-0	SHELF BRUSH, IVORY	1	PC.
A12	2		198548-5	ROUND BRUSH SET, IVORY	1	PC.
A13			198752-6	HIGH EFFICIENCY PRE-FILTER (PKG)	1	PC.
A14			198526-5	NOZZLE ASSEMBLY (T-NOZZLE), F/ CARPET, BLACK, DX S	1	PC.
A15			199553-5	CYCLONE ATTACHMENT BLACK	1	PC.
A16			199971-7	WALL MOUNT HOLDER	1	PC.

SERVICE CHANGES

1. Wiring Change from July 2016 Production - See T/l# B4546

2. Change of Stay (T/l# C1159)

Item No.	Description	Type 1	Type 2
15	STAY	410237-5	458467-0
24	SPONGE SHEET	---	422268-2



Sponge sheet is added to between the projections of Stay and lattice portion of Housing

3. Change of Filter / Pre-filter (T/l# B8676)

Item No.	Description	Type 1	Type 2
A06	Pre-Filter	451208-3	---
A05	Filter	443060-3	---
A13	High efficient filter	---	198752-6

